



INSTRUCTION MANUAL FOR ROUND POOL

INTRODUCTION

Thank you for investing in a Kona Pool. Our goal is to create decades of family fun. Easy to maintain and built to last a lifetime, a Kona Pool is a vacation in your own backyard.



TABLE OF CONTENTS

• Introduction	2
• Positioning Your Pool	3
• Ground Preparation	4
• Parts for Assembly Pool	5
• Assembly (Step-by-Step)	6
• Skimmer Assembly	7
• Plumbing from Wall Fittings to Equipment	10
• Caring for Your Pool	11
• Safety Reminders	12

INTRODUCTION



WELCOME TO THE KONA FAMILY

Welcome to the Kona Pool family. We are confident that your family will have decades of lasting memories in your Kona Pool.

OVERVIEW OF THE ASSEMBLY PROCESS

Please read these instructions completely before beginning the installation of your Kona Pool.

If you have any questions pertaining to the installation of your Kona Pools, please contact your Kona Pool dealer or reach out to Kona Pools at (888) 419-1901.

SAFETY PRECAUTIONS

To ensure years of family fun in your Kona Pool, please make safety a priority.

- No diving or jumping from the ladder or any deck structures.
- Supervise children at all times. Never leave a child unattended in the pool.
- Secure the pool and ladder when not in use.
- Keep electrical appliances away from the pool and ladder.

POSITIONING YOUR POOL



POSITIONING

To ensure maximum enjoyment and efficiency, consider the following steps when selecting the desired location of your pool.

- Select a location that receives maximum sunlight for increased heat and extended use.
- Select a location with as little wind exposure as possible to minimize heat loss.
- Be aware of the amount of trees and shrubbery around your pool to limit the amount of debris.
- Select a location with accessibility to water and electric sources.
- Consider privacy when selecting a location.

GROUND PREPARATION



GROUND PREPARATION

NOTE: PLEASE REVIEW FOR POTENTIAL "SOFT GROUND" INSTALLATIONS.

- The surface the pool is to be assembled on must be firm and level. The pool must be installed as level as possible, within 2" to 3" out of level (from the highest point to the lowest point of the pool). If you are going to be 2" to 3" off level, be sure to install the skimmer on the lower side to ensure you skimmer will not suck air into the pump.
- If the ground is not level, take the earth from the high side of the surface; do not add earth to the lower area of the surface.
- Once the surface is level, clear any debris or sharp objects that may be uncomfortable to walk on, or could potentially puncture the liner. A foam flooring may be added under the liner for additional comfort. *See your dealer for details.*
- The supporting legs burden much of the weight of the pool and may need additional support in "soft ground" installations, or in areas that may experience excess groundwater. A 2"x 8"x 22" piece of lumber installed under each support leg and leveled with the ground is very effective. Make sure the entire base of each leg is on the 2" x 8" lumber; any overhang may result in bending of the leg. A concrete slab (not a paver) of the similar dimensions may be used as well. Please note that any support(s) added under the pool structure must be sunk so that the top of the support is level with the ground surface. Lifting the legs or frame in any manner may cause excessive stress on the liner and frame, and may void the pool warranty.

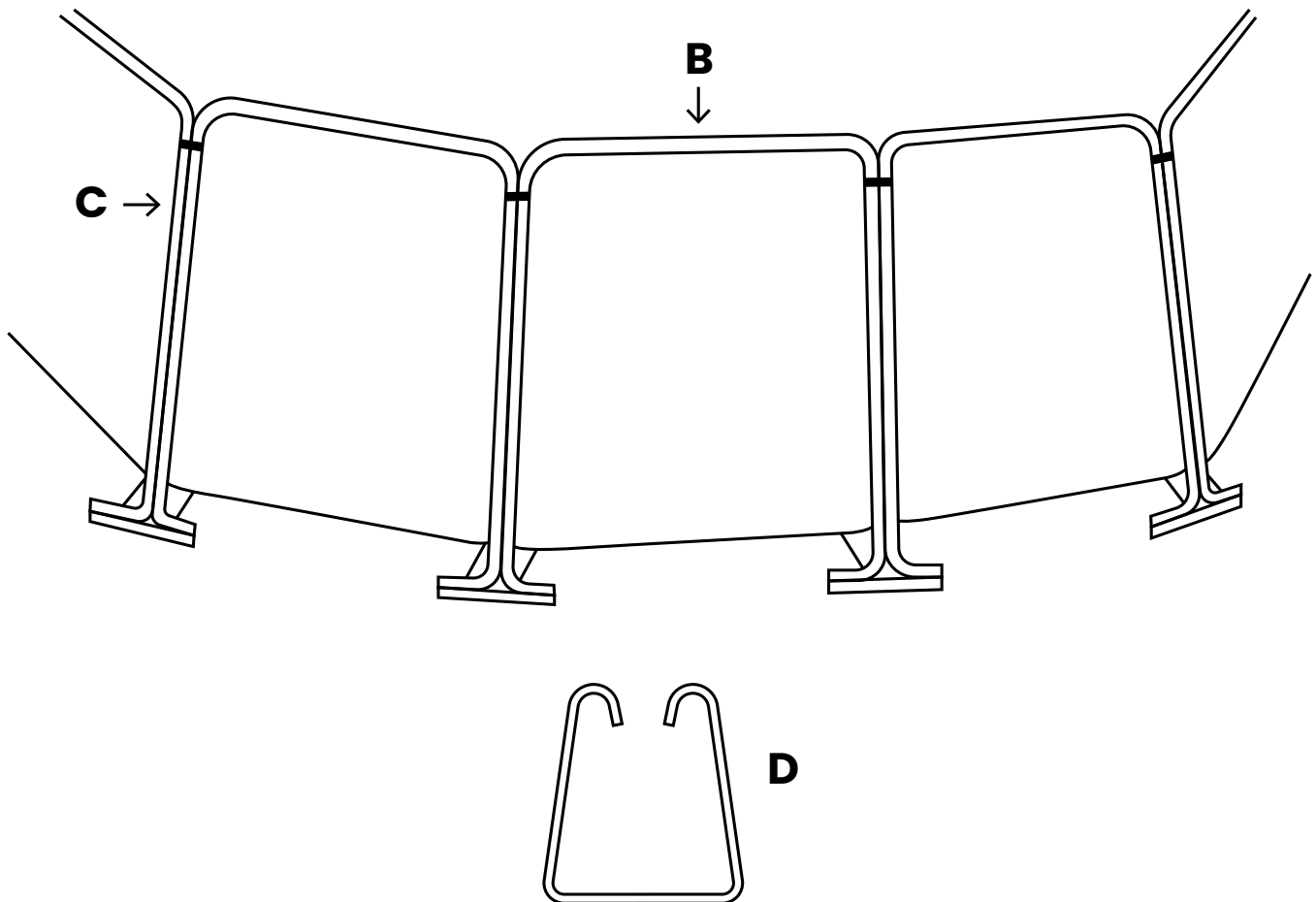
PARTS FOR ASSEMBLY



PARTS FOR ASSEMBLY

Your pool is comprised of various parts according to the size and model selected. Therefore, before proceeding with installation, ensure that all necessary parts are present, and group like parts.

- Liner (A)
- Top Rail (B)
- Strut (C)
- Hangar (D)
- See the components by size chart for the number of each per pool size.



POOL ASSEMBLY



COMPONENTS BY SIZE

POOL SIZE	(A) LINER	(B) TOP RAIL	(C) STRUT	(D) HANGER
15'	1	12	12	12
20'	1	16	16	16
24'	1	19	19	19

**Each pool comes with a vinyl bag with a rail insert and two bottom caps per strut, patch material, and pins

POOL ASSEMBLY

- Unfold and spread out liner (A) on prepared area.
- Align strut (C) with cut outs at top of liner. Each leg will need (2) bottom caps to enclose the bottom of the leg and (1) top insert in which the top rail (B) are placed.
- Slide top rail (B) through sleeves at the top of the liner.
- Insert the top rail (B) into the top of the strut (C). **Ensure the tips of the strut (C) are pointing away from the liner.**
- Insert hanger (D) through the ends of the strap attached to the liner. Set the bottom of the strut (C) on the hanger (D) with the tips up. Line up the tips of the hanger (D) with the holes on the front of the strut (C).
- While pool is filling make sure the legs and top rails stay in proper position until the pool is 1/2 full.

SKIMMER ASSEMBLY



SKIMMER ASSEMBLY (SEE DIAGRAM #1)

Your pool is comprised of various parts according to the size and model selected. Therefore, before proceeding with installation, ensure that all necessary parts are present, and group like parts.

- Align and place the skimmer face plate on the front of skimmer and affix by using provided screws.
- Attach skimmer to the wall of the pool using the skimmer rail hook (1)
- Snap in Weir door, add basket and push the lid into place. Only use the included skimmer plate when vacuuming the pool.

CONNECTING SKIMMER WALL FITTING (SEE DIAGRAM #1)

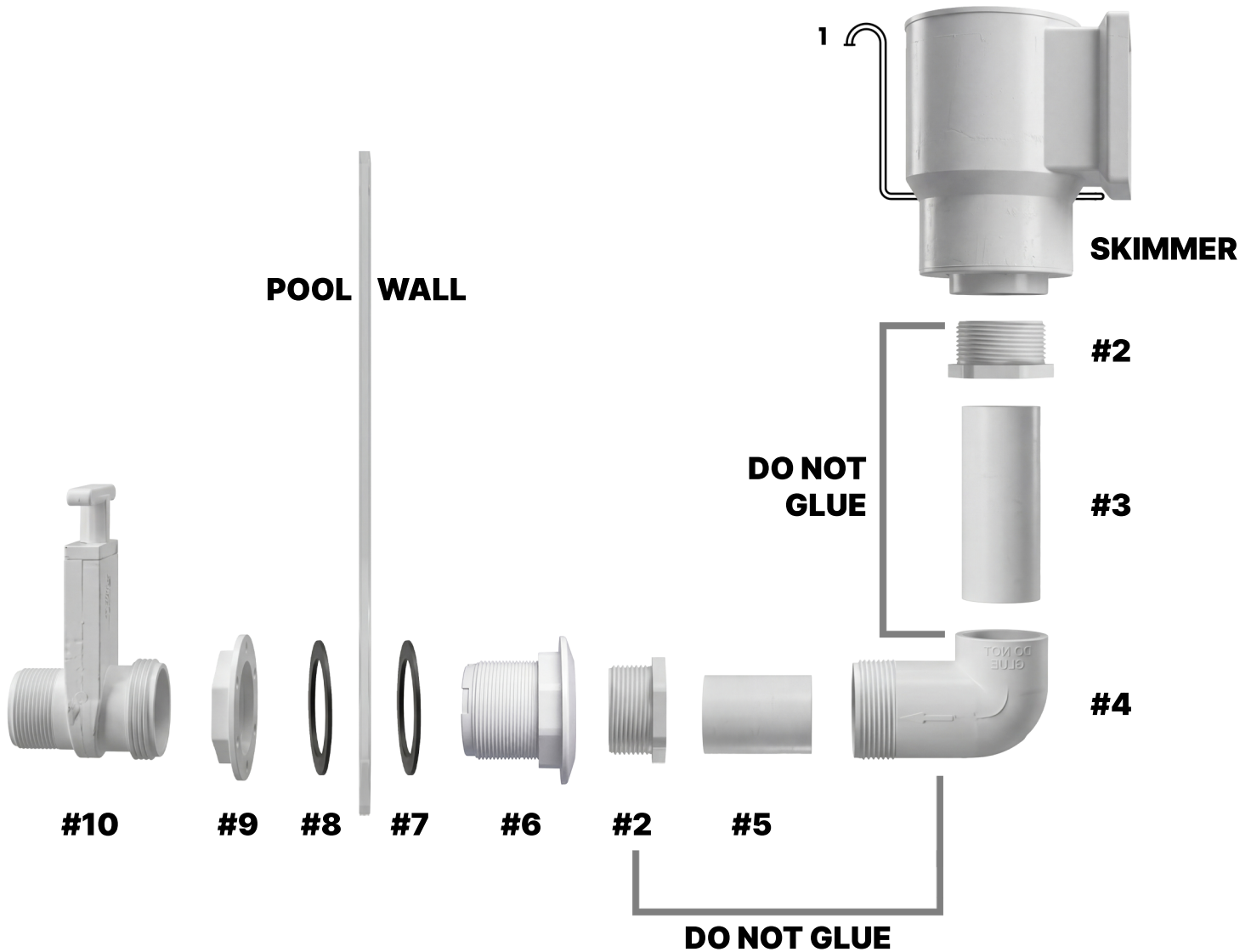
- USE THE LOWEST PRECUT LINER PORT FOR THE SKIMMER INSTALLATION.
- Push wall fitting (#6) through the wall of the pool from the inside. Make sure to put the large gasket (#7) on the inside of the pool and the small gasket (#8) on the outside of the pool wall. Secure the wall fitting with the nut (#7). Tighten with a large pair of channel lock pliers. Make sure the nut is snug but do not over tighten as this may crack the nut.
- Thread the male adapter (2) into the bottom of the skimmer. Thread the other male adapter (2) into the wall fitting (6).
Press the 6 1/2" connection pipe (3) into the bottom of the skimmer. Press the elbow (4) onto the 6 1/2" connection pipe (3). Press the 5 1/2" connection pipe (5) into the elbow (4) and into the male adapter (2) that is threaded into the wall fitting (6). *Note* no glue is necessary.
- Ensure the skimmer connect pipes are completely seated in the fittings. If it is not completely seated, the skimmer may sit too high out of the water.
- Thread the slide valve (#10) into the wall fitting (#6) using the provided Teflon tape.

ROUND POOL SKIMMER DIAGRAM



ROUND POOL SKIMMER (DIAGRAM #1)

- (1) SKIMMER HOOK
- (2) MALE ADAPTER
- (3) 6 1/2" CONNECTION PIPE
- (4) ELBOW
- (5) 5 1/2" CONNECTION PIPE
- (6) WALL FITTING
- (7) LARGE GASKET
- (8) SMALL GASKET
- (9) WALL FITTING NUT
- (10) SLIDE VALVE



CONNECTING RETURN WALL FITTING



CONNECTING RETURN WALL FITTING (SEE DIAGRAM #2)

- USE THE HIGHEST PRECUT LINER PORT FOR THE RETURN
- Push wall fitting (#6) through the wall of the pool from the inside. Make sure to put the large gasket (#7) on the inside of the pool wall and the small gasket (#8) should be on the outside of the pool wall. Secure the wall fitting with the nut (#9). Tighten with a large pair of channel lock pliers. Make sure the nut is snug but do not over tighten as this may crack the nut.
- Thread the slide valve (#10) into the wall fitting (#6) using the provided Teflon tape.

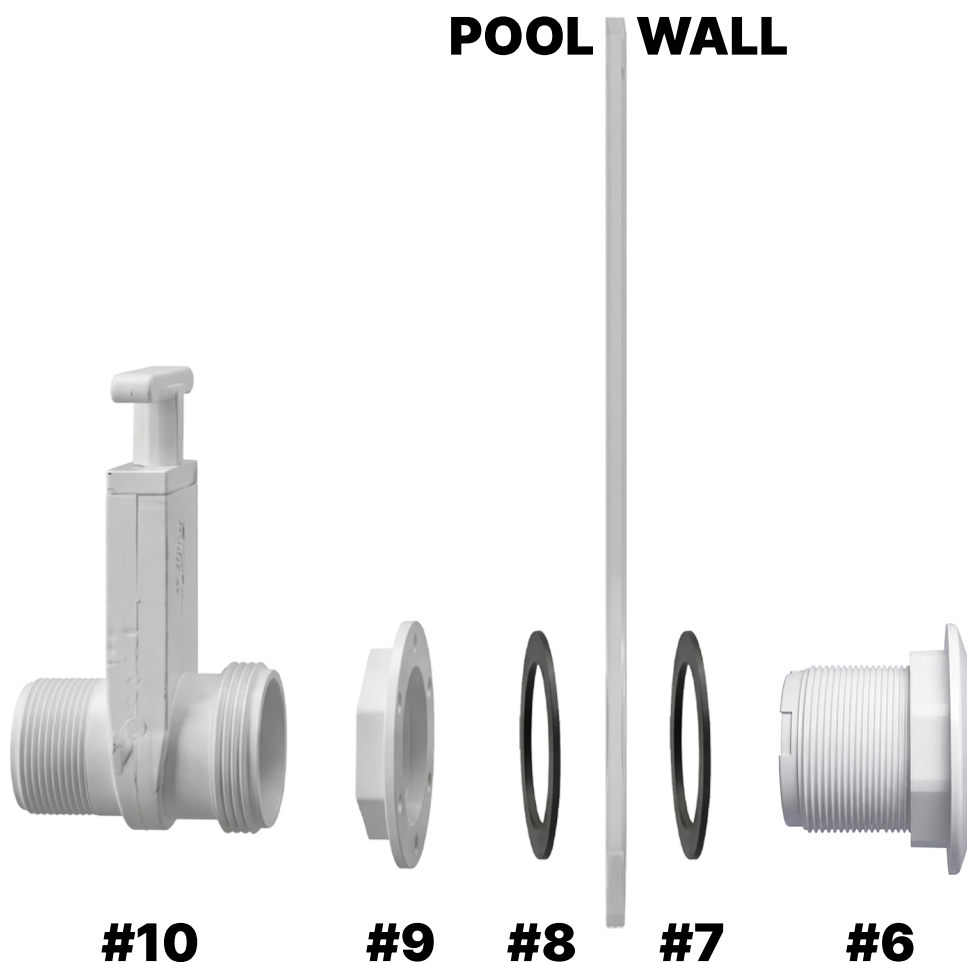


DIAGRAM #2

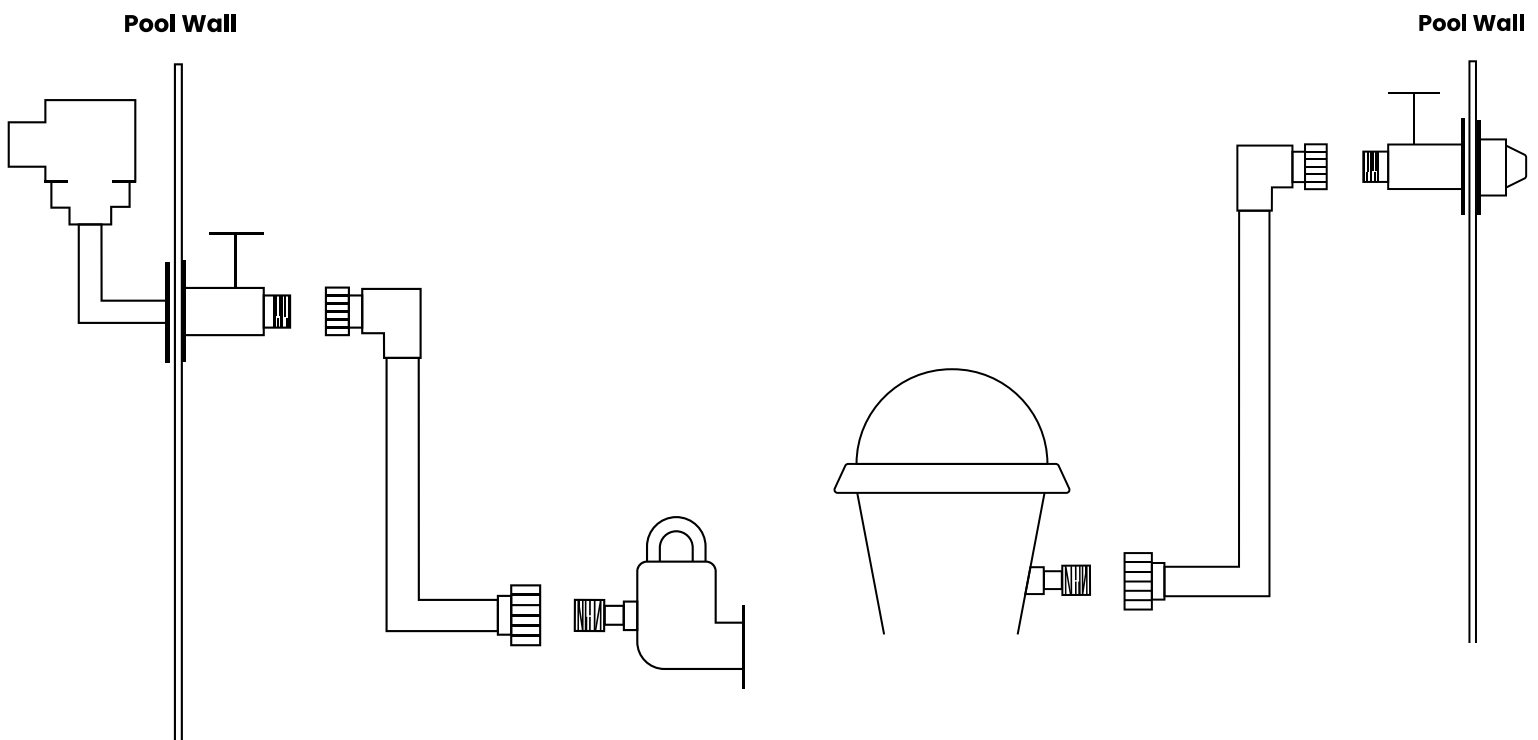
PLUMBING FROM WALL FITTINGS TO EQUIPMENT



PLUMBING FROM WALL FITTINGS TO EQUIPMENT (SEE DIAGRAM #3)

- Thread the 1 ½" MPT side of the threaded union tailpiece into the front of the pump and the filter outlet to the pool using the provided Teflon tape. Tighten the tailpieces with pump pliers. The fittings should be snug but **DO NOT** overtighten the fittings due to the potential of cracking the ports on the pump and filter.
- Tighten the union nut with the elbow onto the slide valves previously installed. Tighten the other union nut to the threaded union tailpiece on the pump or filter. **ENSURE** the oring is seated in the oring groove on the face of the union adapter. Hand tightening the union nuts should be sufficient to prevent the connection from leaking. If it is necessary to tighten the union nuts with pump pliers be careful not to overtighten and crack the union nut.

DIAGRAM #3



CARING FOR YOUR POOL



CARING FOR YOUR POOL

- Predissolve all dry chemicals before putting them into the pool. Failure to do so may result in bleaching or damaging your liner. Always have your pool running when adding chemicals, liquid or dry.
- Keep water balanced within PHTA standards for vinyl liner pools (see your local pool and spa retailer for details). Care of a Kona Pool is the same as any above ground vinyl lined pool.
- Do not leave pool set up while empty.
- Do not leave pool filled with water without proper chemical treatment and pool maintenance.
- If you leave your pool up during the winter months in an area that experiences a hard winter freeze, then you must “winterize” your pool. Winterizing generally refers to

the treatment of the water in the pool, draining below the ports and draining your equipment, again the pool itself requires no special attention. Visit your local pool store and tell them you would like to “Winterize” or “Close” your Above Ground Pool for the season. They will be able to get you what you need and instruct you based on your location.

- If you winterize your pool you MUST drain the pool below the wall fittings .
- When storing your pool, thoroughly clean and dry liner and carefully roll up. Store your pool in a dry safe place. Always store the hard parts and the liner in separate boxes.

NO DIVING **INTO POOL!**

**KEEP CHILDREN SUPERVISED
AT ALL TIMES!**



CONTACT US

SALES & SUPPORT

866-507-1896

EMAIL INQUIRIES

info@konapools.net

LEAVE US A REVIEW ONLINE,
**AND GET A FREE
WATER FOUNTAIN**

KONAPOOLS.NET/REVIEW-US

