

SAVE THESE INSTRUCTIONS

DEALER/INSTALLER: GIVE TO HOMEOWNER

MODEL #7200

“ROLLGUARD®” A-FRAME LADDER

LADDER MUST BE ATTACHED TO POOL FRAME.

DO NOT USE WITH INFLATABLE POOLS

ASSEMBLY AND INSTALLATION MANUAL



Proudly Made in U.S.A. by

CONFER
plastics inc.

US Patent Numbers

8,191,682

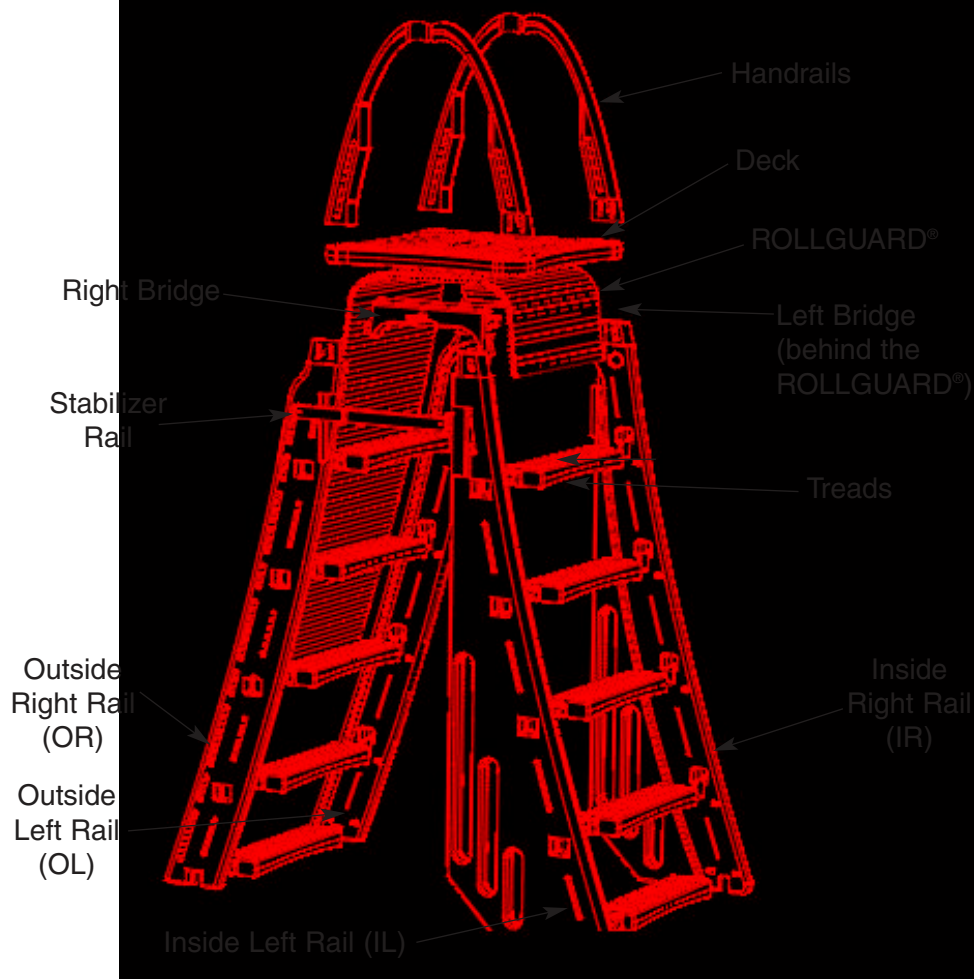
8,191,681

8,202,018

Model #7200 "ROLLGUARD®" A-FRAME LADDER

Ladder must be attached to pool frame - do not use with inflatable pools

ASSEMBLY INSTRUCTIONS - PLEASE READ BEFORE ATTEMPTING ASSEMBLY



If missing parts call - Toll free U.S./Canada - 800-635-3213 or www.conferladders.com

Parts List

4 - Handrail	1 - ROLLGUARD®
1 - Deck	1 - Outside Left Rail (OL)
1 - Left Bridge with lock assembly	1 - Outside Right Rail (OR)
1 - Right Bridge	1 - Inside Left Rail (IL)
2 - Stabilizer Rail	1 - Inside Right (IR)
10 - Ladder Tread	

Tools Needed for Assembly

1 - Rubber Mallet
1 - Cordless Drill w/Phillips Driver
1 - Garden Hose
1 - 1/4" Drill Bit
1 - Phillips Screwdriver
1 - Pliers

Hardware Bag

4 - Plug	2 - 1/4" Flat Washer
6 - #10 x 1-1/4" Self Tapping Screw	4 - 1/4" Hex Nut
2 - 1/4 - 20 x 3-1/2" Bolt	1 - Padlock
1 - Instruction sheet	2 - 1/4 - 20 x 1" Bolt

Helpful Hints:

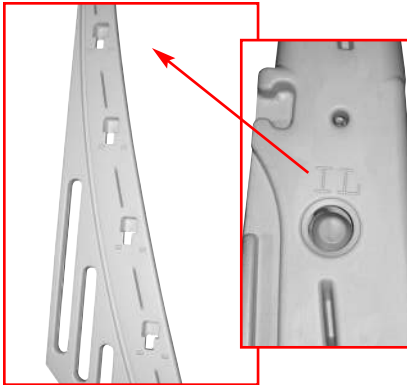
- 1). Assemble the ladder by laying it down on a smooth flat surface.
- 2). All ten treads are the same, but must be installed tab marked minus [-] into tread lock opening marked minus [-] and tab marked plus [+] into tread lock opening marked plus [+] on the rails. **TREADS MUST NOT BLOCK THE ROLLGUARD® TRACKS LOCATED ON THE INSIDE AND OUTSIDE RAILS.**
- 3). The ROLLGUARD® locking assembly is pre-installed on the left bridge.
- 4). Slide the ROLLGUARD® into track, grab handle first.

STEP 1:

INSIDE LADDER

Tools needed: rubber mallet

Parts needed: 1- Inside left rail (marked "IL" at the top)
1- Inside right rail (marked "IR" at the top)
4- Ladder treads



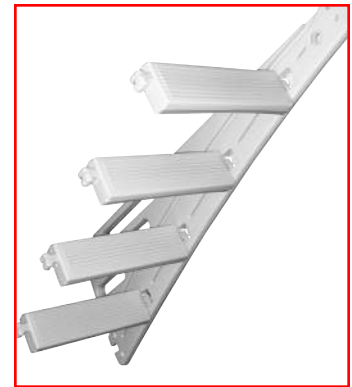
#1: Lay "IL" rail on flat surface.



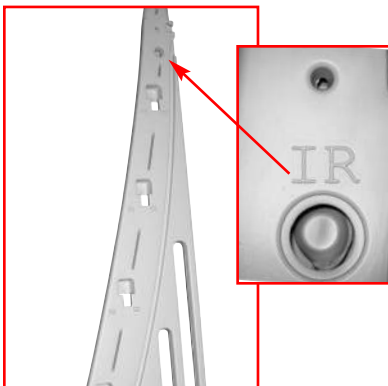
Incorrect, do not block track.



#2: Correct, tap down until seated, note track is not blocked..



#3-5: Install 3 more treads, for a total of 4, see above pictures.



#6: Lay "IR" rail on flat surface.



#7: Lift/rotate and align tread tabs to fit into rail openings..



#8: Tap all 4 treads down until seated..



#9: **Do Not Install bottom tread until Step 4!**

STEP 2: OUTSIDE LADDER

Tools needed: rubber mallet

Parts needed: 1- Outside left rail (marked "OL" at the top)
1- Outside right rail (marked "OR" at the top)
5- Ladder treads



#1: Lay "OL" rail on flat surface.



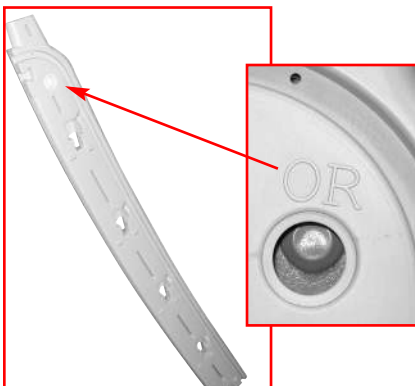
Incorrect, do not block track.



#2: Correct, tap down until seated, note track is not blocked..



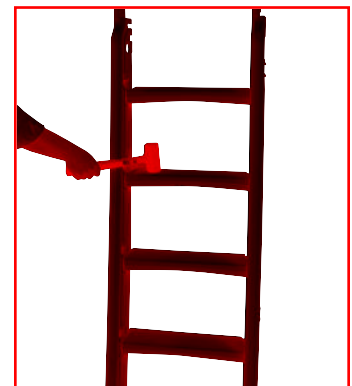
#3-5: Install 3 more treads, for a total of 4, see above pictures.



#6: Lay "OR" rail on flat surface.



#7: Lift/rotate and align tread tabs to fit into rail openings..



#8: Tap all 4 treads down until seated..



#9: Install bottom tread.

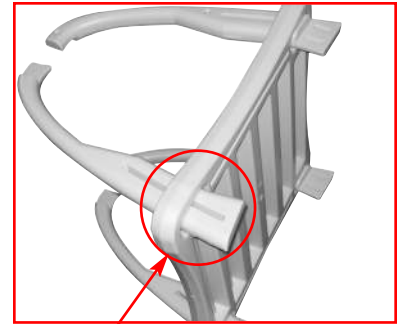
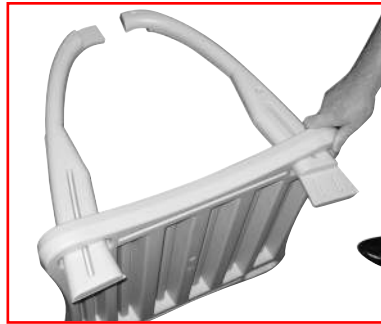
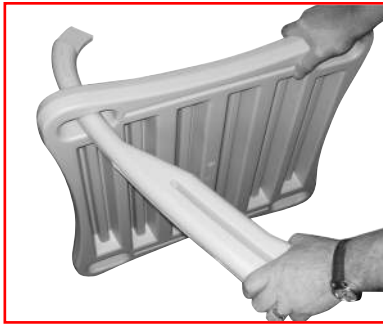
NOTE: Bottom tread will not be flush with ladder leg.



#10: Outside ladder finished!

STEP 3: HANDRAILS/DECK

Tools needed: rubber mallet, cordless drill w/Phillips driver
Parts needed: 1- Deck
 4- Handrails
 1- Left bridge with lock assembly
 1- Right bridge
 2- #10 x 1-1/4" self tapping screws
 2- 1/4 - 20 x 1" Bolts
 2- 1/4 - 20 Hex Nuts

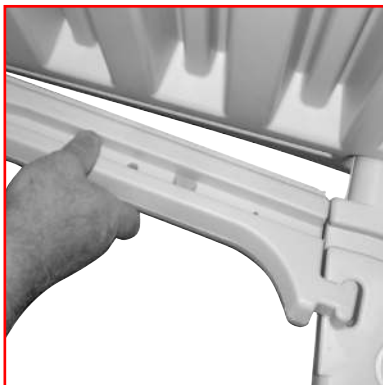


#1-3: Push handrails up through bottom of deck leaving about 3" exposed.



#4: Align the inside/outside rails with deck/handrail.

#5-6: Partially slide deck down locking handrails onto ladder sections.



#7: Install right and left ladder bridges.



#8: Using the 1/4" - 20 x 1" screws and hex nuts provided attach both outside bridge tabs to the outside ladder rails marked OL & OR. Insert screws through from the inside and fasten with hex nuts on the outside of rail.



#9: Finish tapping deck all the way down until engaged on to bridge.

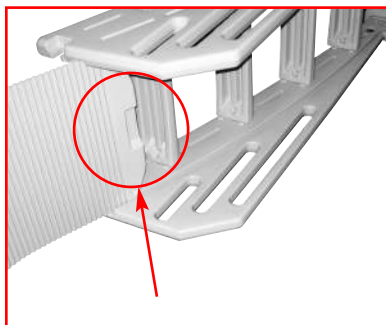


#10: Overlap the flat sections at top of the handrails and connect using 1-#10 x 1-1/4" self tapping screw. Repeat for other handrail.

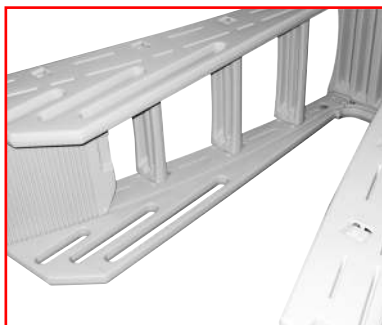
STEP 4:

INSTALLING ROLLGUARD®

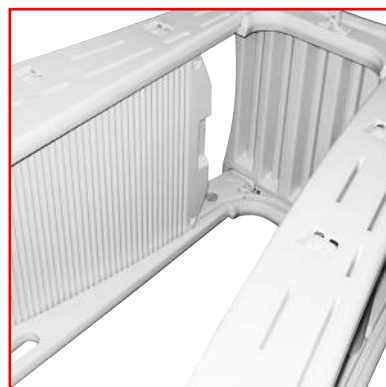
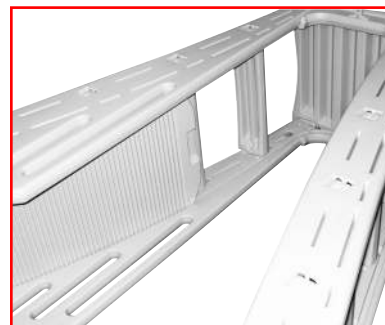
Tools needed: rubber mallet
Parts needed: 1- ROLLGUARD®
1- Ladder tread



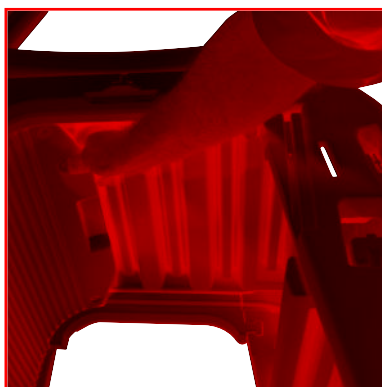
#1: With the ladder laying on it's side, slide the ROLLGUARD® into track, grab handle first.



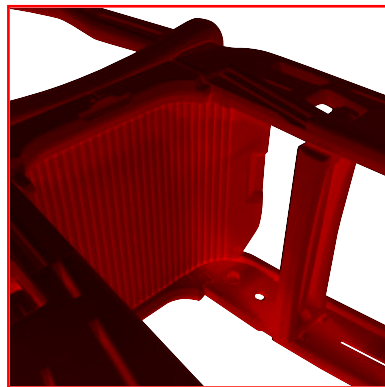
#2-6: Slide ROLLGUARD® around to other side of ladder.



#4



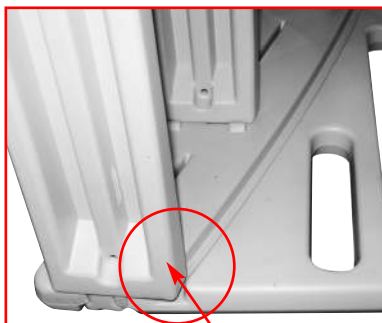
#5



#6



#7-8: Install bottom tread. **IMPORTANT:** this bottom tread **MUST** be installed to block the track, ROLLGUARD® must not come in contact with pool liner.



NOTE: Bottom tread will not be flush with ladder rail. Tread will extend past the bottom of ladder rail.

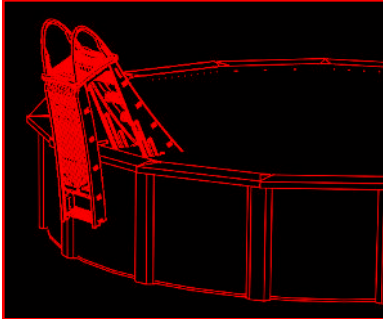
STEP 5:

PLACING LADDER IN POOL

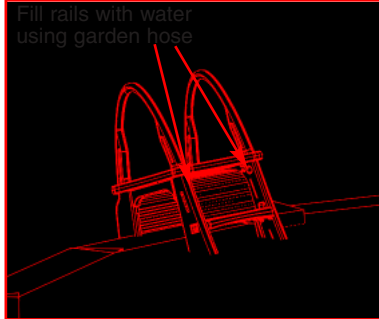
Tools needed: garden hose, cordless drill w/Phillips driver
1/4" drill bit, Phillips screwdriver, pliers

Parts needed: 4- cap plugs
2- Stabilizer Rails
2- 1/4-20 x 3-1/2" bolts, washers and hex nuts
1- Padlock

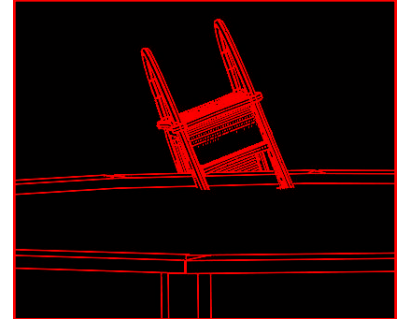
CHOOSE A LOCATION THAT IS LEVEL AND IN FULL VIEW. POOL MUST HAVE COMPETENT ADULT SUPERVISION AT ALL TIMES WHEN IN USE.



#1: With ROLLGUARD® in closed position, carefully lift the inside ladder section over the pool wall.



#2: Using garden hose, fill only the 2 inside rails with water through the openings and cap when full. As the rails are being filled, the ladder will start to sink.



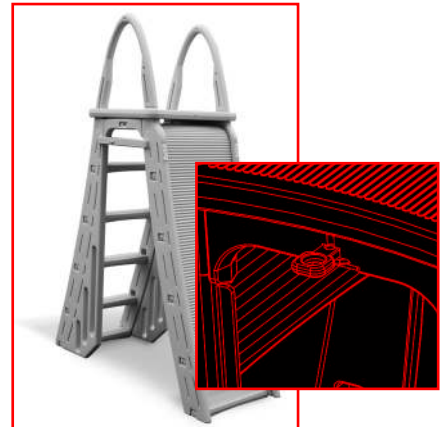
#3: Tilt the ladder from "side to side" to get all the air out of treads. As the treads fill with water, the ladder will continue to sink, this may take several minutes.



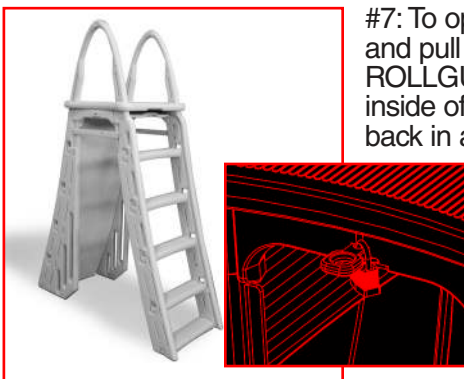
#4: The inside of the pool ladder must be positioned as close to the inside of the pool wall as possible, this will keep swimmers from going behind ladder. **DO NOT LEAVE A LARGE GAP BETWEEN INSIDE OF POOL WALL AND LADDER.** Next, place one of the stabilizer rails on the pool top ledge, align the raised ribs on the stabilizer rail with the tracks on the ladder rails and attach using 2-#10 x 1-1/4" self tapping screws. Repeat for the second stabilizer rail. **TO STABILIZE YOUR POOL LADDER, STABILIZER RAILS MUST BE INSTALLED PROPERLY AND REST ON THE POOL TOP LEDGE.**



#5: **TO KEEP POOL LADDER IN PLACE, STABILIZER RAILS MUST BE ATTACHED TO POOL TOP LEDGE.** Use the stabilizer rails as locators and drill two 1/4" holes through the pool top ledge. Be careful not to damage the pool wall or liner. Fasten ladder to the pool using 2-1/4-20 x 3-1/2" screws, washers, and nuts. If necessary, Stabilizer rail can be reversed and attached above the recesses in rails to accommodate taller pools



#6: The ladder is in the closed position when the ROLLGUARD® is pulled down covering the outside ladder treads. To lock, push in the roll guard locking tab located on the left bridge. When properly locked, the ROLLGUARD® will not lift up. Install the padlock through the locking tab hole. **WHEN POOL IS NOT IN USE THE ROLLGUARD® MUST BE IN CLOSED POSITION AND LOCKED.**



#7: To open pool ladder, remove the lock and pull locking tab out. Lift up on the ROLLGUARD® and slide around to the inside of pool ladder, push locking tab back in and lock.

WHEN POOL IS IN USE, THE ROLLGUARD® MUST REMAIN ON INSIDE OF POOL AND LOCKED. THE ROLLGUARD® WILL PREVENT SWIMMING THROUGH INSIDE LADDER TREADS.



Optional lock location (if needed).

SAFETY RULES

- * Locate ladder on a solid base.
- * One person on the ladder at a time.
- * Ladder **MUST** be installed per manufacturer's instructions.
- * **DANGER:** No Jumping or Diving from ladder.
- * Face ladder when entering and leaving pool.
- * To prevent entrapment or drowning — **DO NOT** swim through, behind or around ladder.
- * Ladder to be used as a swimming pool ladder only.
- * Weight limit - **300 lbs maximum**
- * **Warning:** Exceeding the maximum weight restriction may cause the ladder to fail.
- * When ladder is not in use pull down roll guard to cover outside ladder treads and lock using padlock.
- * Consult your local Building Department before installation of your pool and equipment.
- * **DANGER:** Use a cordless drill for assembly and installation. NEVER use an electric drill in or around the pool.

IMPORTANT FOR YOUR SAFETY

- * Check the contents of the carton with the Parts list for this ladder.
- * If any parts are missing call Toll Free U.S./Canada - 800-635-3213 or visit our web site at: www.conferladders.com
- * **DO NOT** attempt to assemble or install the ladder if there are **ANY** shortages of parts or hardware.
- * For proper assembly and installation follow all instructions in the sequence shown.
- * Before using the product, after assembly and installation, go over the instructions and procedures again to make sure nothing has been overlooked.
- * Be sure and safe. The manufacturer **IS NOT** responsible for improper assembly, installation and use.

MAINTENANCE: Check the padlock for proper operation and lubricate if necessary. When pool is not in use ROLLGUARD® must be in closed position and locked.

WINTERIZING: Unfasten the ladder from pool top seat and remove from the water. Remove the plugs and lay ladder on its side to drain. It will take several minutes for the water to drain out of the ladder rails and treads. A small amount of water left in ladder will not cause any damage. Replace the plugs so they won't get lost.

CONFER PLASTICS, INC. FIVE YEAR WARRANTY

Confer Plastics, Inc. warrants their swimming pool ladders and steps to be free from defects in workmanship for five years from date of purchase.

DO NOT RETURN DEFECTIVE PART TO DEALER

E-MAIL CONFER PLASTICS AT: LADDERS@CONFERPLASTICS.COM
A PICTURE [S] OF DEFECTIVE PART, A BRIEF DESCRIPTION OF PROBLEM,
PROOF OF PURCHASE AND YOUR CONTACT INFORMATION.

INFORMATION MAY ALSO BE FAXED TO CONFER PLASTICS AT: **716-694-3102**
OR MAILED TO THE ADDRESS BELOW. UPON REVIEW OF THE INFORMATION YOU
WILL BE NOTIFIED IF PART IS COVERED UNDER THE WARRANTY AND
THE SHIPPING/HANDLING CHARGES.

*This warranty gives you specific legal rights, and you may also have other rights
which may vary from state to state.*

Confer Plastics, Inc.
97 Witmer Road
North Tonawanda, N.Y. 14120-2421

PROUDLY MADE IN THE U.S.A. by:



CONFER
plastics inc.

Printed in U.S.A.

97 Witmer Road
North Tonawanda, New York 14120-2421
Toll Free U.S./CANADA 800-635-3213
716-694-3100
www.conferladders.com

3-00-7200
CP-7200 Rev 08/13